

8KW DEYE HYBRID INVERTER



Max. Efficiency
97.6%



2 MPPT



RS485/CAN



Internal SPD



Zero Export



IP65
Ingress Protection



High Power
Factor



High Surge
Endurance



AC Coupled



Support Generator
Connection

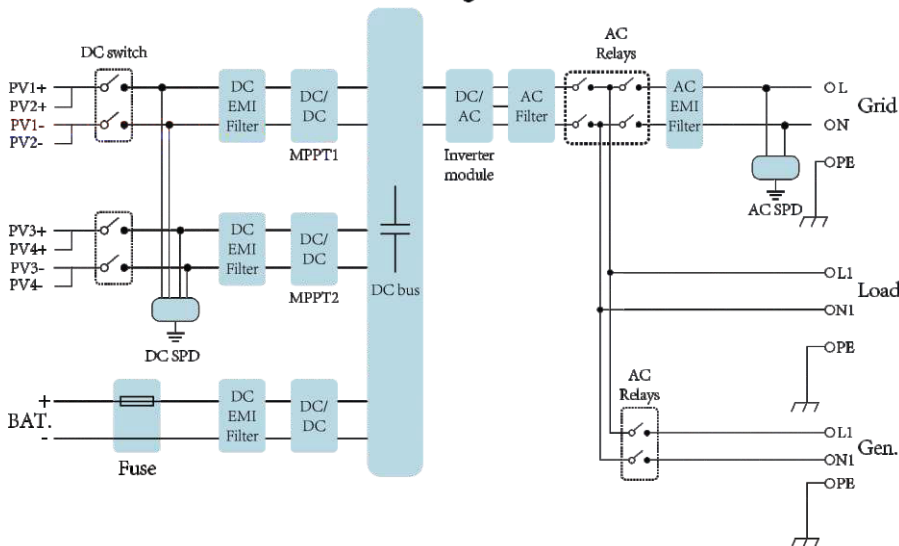


Six Time of
Use Setting

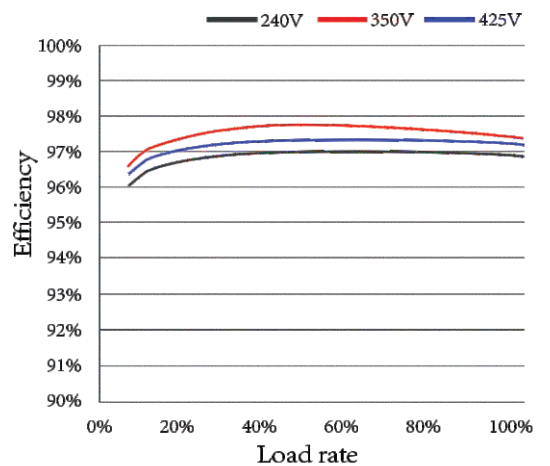


Support Multiple
Parallel

Circuit block diagram



Efficiency curve



*** HIGHER YIELDS**

Improve self-consumption ratio up to 80%, reducing your electricity bill
DC/AC ratio up to 1.3, completely suitable for double-side PV modular
Two MPPT design, Max. efficiency of 97.6%

*** USER-FRIENDLY**

LCD Touch screen and buttons, easy operation
Compatible with lithium-ion battery and lead acid battery
Web browser and mobile App monitoring supported

*** RELIABLE**

PV lighting protection, Anti-islanding protection, Leakage current protection etc
Support store energy from DG when needed, ensure the system working within 7*24H
IP65 protection degree, adapt to indoor and outdoor using
Automatically switch from on-grid to off-grid mode within 5ms
Zero exporting function, fast reaction within 200ms in zero export mode

*** SMART**

Programmable charging and discharging schedule
Both wind turbines and solar panels can be connected as DC input power
Max. 16 units can be paralleled for higher system power
Retrofitting of existing solar system to energy storage system



SPECIFICATIONS

Model	SUN-8K-SG01LP1
Battery Type	Lead-acid or Lilon
Battery Voltage Range (V)	40-60V
Max. Charging Current (A)	190A
Max. Discharging Current (A)	190A
Charging Curve	3 Stages/Equalization
External Temperature Sensor	Optional
Charging Strategy for Li-Ion Battery	Self-adaption to BMS
PV STRING INPUT DATA	
Max. DC Input Power(W)	10400W
PV Input Voltage (V)	370V(100V500V)
MPPT Range (V)	125V-425V
Start-up Voltage (V)	150V
PV Input Current (A)	18A + 18A
No-of MPPT Trackers	2
No.of Strings Per MP PT Tracker	2+2
AC OUTPUT DATA	
Rated AC Output and UPS Power (W)	8000W
Max AC Output Power (W)	8800W
Peak Power(off grid)	2 times of rated power, 10 S
AC Output Rated Current(A)	33.4A/35A
Max.AC Current(A)	38.3A/40A
Max Continuous AC Passthrough(A)	50A
Output Frequency and Voltage	50/60Hz; 120/240Vac(split phase) 208Vac(2/3 phase),230Vac(single phase)
Grid Type	THD<3%(Linear load)<1.5%
Current Harmonic Distortion	Split phases 2/3 phase. Single Phase
EFFICIENCY	
Max. Efficiency	97.60%
Euro Efficiency	97.00%
MPPT Efficiency	99.90%
PROTECTION	
PV Arc Fault Detection	Integrated (Except European Type)
PV Input Lightning Protection	Integrated
Anti-islanding Protection	Integrated
PV String Input Reverse Polarity Protection	Integrated
Insulation Resistor Detection	Integrated
Residual Current Monitoring Unit	Integrated
Output over Current Protection	Integrated
Output Shorted Protection	Integrated
Output over Voltage Protection	Integrated
CERTIFICATIONS AND STANDARDS	
Grid Regulation	UL1741, IEEE1547, RULE21, VDE0126, AS4777, NRS2017, G98, G99, IEC61683, IEC62116 IE61727
Safety Regulation	IEC621091, IEC621092
EMC	EN610006-1, EN610006-3, FCC 15 class B
General Data	

